

Electronic heating thermostat is mounted on the wall directly, the temperature range is from 10°C to 55°C. LED indicator light up shows on heating. This thermostat applies to control the temperature of heating equipment system, and is available either with room sensor or with floor sensor, which also is the best choice for obtaining high comfort at the min. energy consumption.

Selection Table:

Model	Current	Application
9006-10	3A	For electro-thermal actuator or radiator's valve
9006-10(36)	16A	For electric heating cable or other electric heating device

Parameter:

Voltage: 220V/230V

Power consumption: 3.5VA

Setting range: 10~55°C

Limitation range: 30, 40, 55°C adjustable

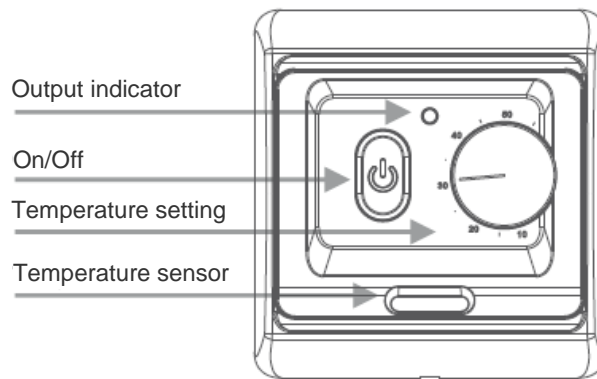
Switch differential: ±1°C

Ambient temperature: -5~50°C

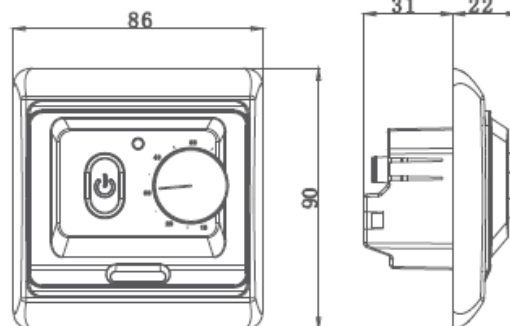
Protective housing: IP20

Floor sensor: NTC external sensor

Housing material: anti-flammable PC



Dimension: mm



Mounting of Floor Sensor:

Floor sensor should be placed in pipe which is embedded in floor; the pipe is thickened in the end and placed as high as possible in the concrete layer. Sensor cable may be extended up to 50m with separate cable for power current. Two conductors in a multi-conducting cable, which e.g is used for supply of heating cable, may not be used. Voltage signals, which may disturb the function of the thermostat, may occur. If the cable is used with screen, the screen may not be connected to the ground, but must be connected to terminal 7, the best installation is adopt a separate cable for the sensor, which is mounted in a separate conduit.

Placement of thermostat:

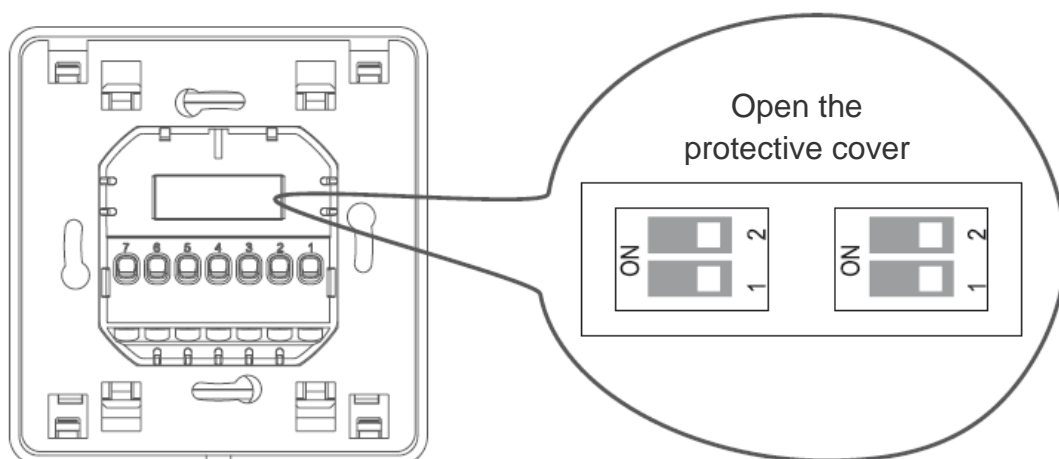
The thermostat should be installed on the wall with free air circulation around it. Furthermore, thermostat should be placed where it is not influenced by any other heating sources (e.g. the sun), air current from window and door or by the temperature of exterior wall.

Temperature setting:

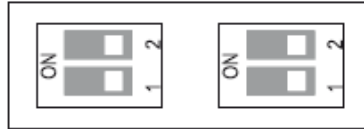
The factory setting of temperature adjustable range is +10/+55°C. Thermostat with a LED indicator for adjusting convenience, the indicator lights when heating is ON.

Sensor choosing and floor limit sensor setting:

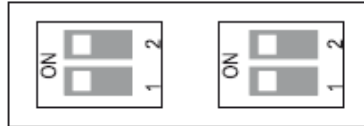
This thermostat can choose different working ways by setting switch that is on the back of the product, which includes both: built-in and limitation floor sensor. The thermostat operates either with one of these sensors or with both of them. This kind of product can modify the different limited temperature value, setting method as following:



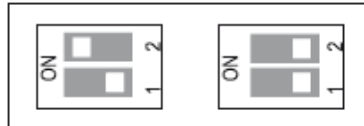
Built- in sensor



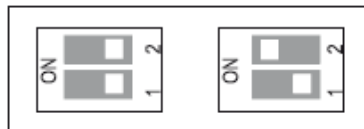
Floor sensor



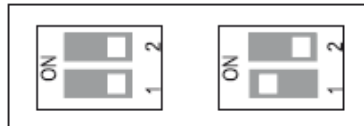
Built-in&floor sensor
floor temperature
limited in 30°C



Built-in&floor sensor
floor temperature
limited in 40°C

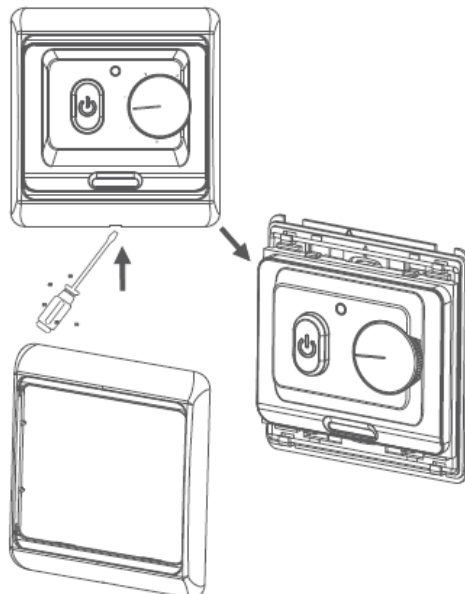


Built-in&floor sensor
Floor temperature
limited in 55°C

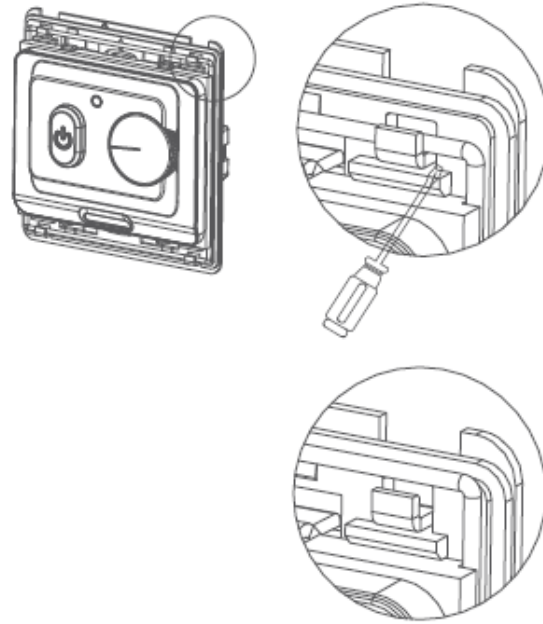


Mounting steps:

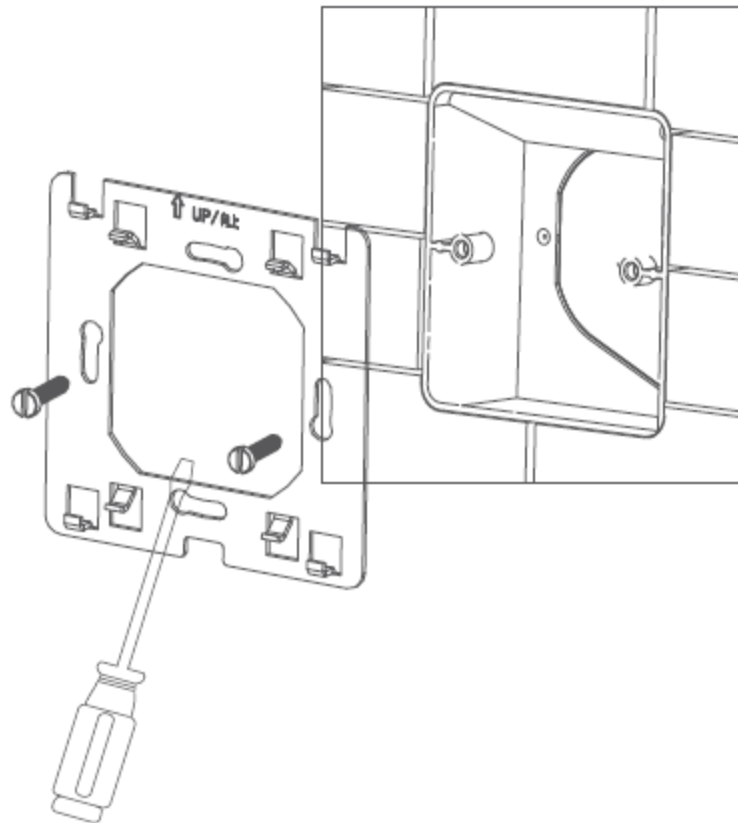
1. Release the front cover by inserting a screwdriver into bottom crack.



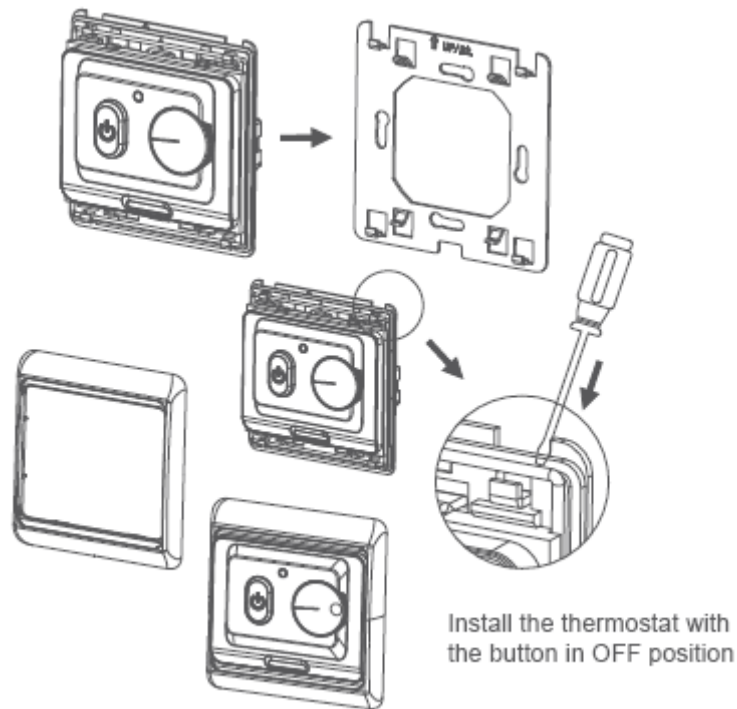
2. Take the backing plate apart according to the following diagram.



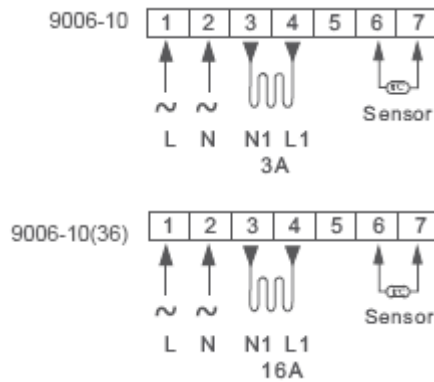
3. Mount the backing plate in the wall socket by screwdriver. The thermostat is installed in standard wall boxes with 60mm between the screws.



- After connecting wires (see connecting diagram), mount the thermostat on the backing plate and remount the cover and frame.



Connecting Diagram



Attention:

The thermostat which connects the electric heating device is apply to full load (3200W) heating cable in 2500m height above sea level, and the rated power of external load should be less than or equal to 80% rated power of thermostat when in 2500m to 4200m height.