

Many to one wireless receiver with 8-loop individual output actuators to control the circuit, which is applied to control the water heating.

Parameters

Voltage: AC230V+10/-15%

Power consumption: 2VA

Current: Max3A

Transmission frequency: 433MHz

Effective transmission distance: 200 m in empty space

Ambient temperature: -5~50°C

Protective housing: IP40

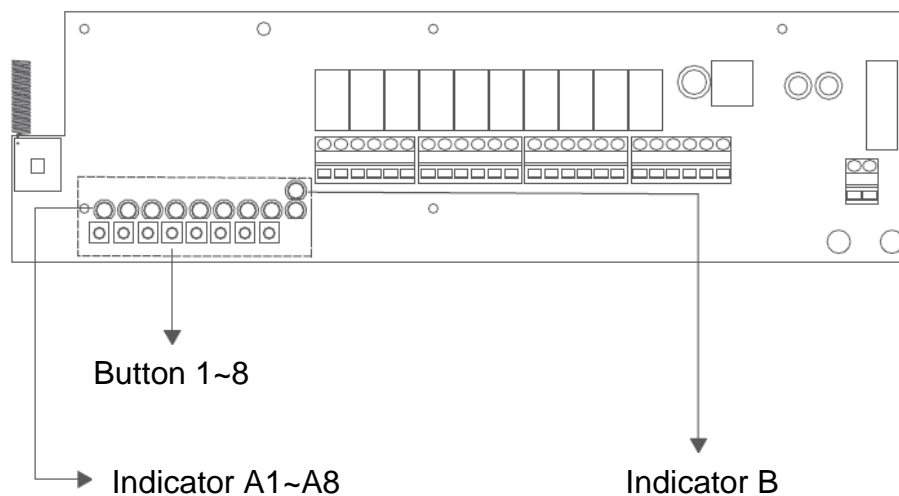
Pump linkage: 230V sub-output

Boiler linkage: Contact switch with potential-free and normal open

Less than 95% r.h

Weight: 1Kg

Description of work state



Red bright long	On heating
Red flashing	Code pairing

Red bright long	Power
Red flashing	Receiving signal

1-8 buttons correspond to A1-A8 indicators.

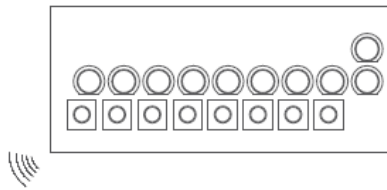
The indicator B is red when in power on.

The indicator B is red and flashing when receiving data.

The indicator A is red and flashing when in code pairing.

The indicator A is red when in heating.

Code pairing method

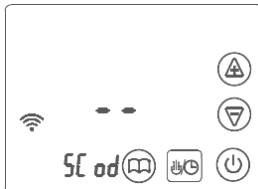


Press the button for 3 seconds until the corresponding indicator is red and flashing, namely entered the code pairing state. Code pairing successfully that will quit back to the work state. It will quit the code pairing without operation in 30 seconds.

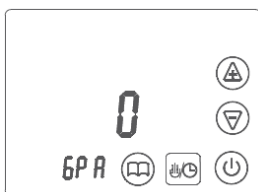
Press the menu key to enter the advanced setting when in power off, then press the menu key again till enter the fifth item code pairing, press + and – key to star code pairing. Modify the transmission power in the sixth item, the number more larger the transmission power more higher.



9006-15



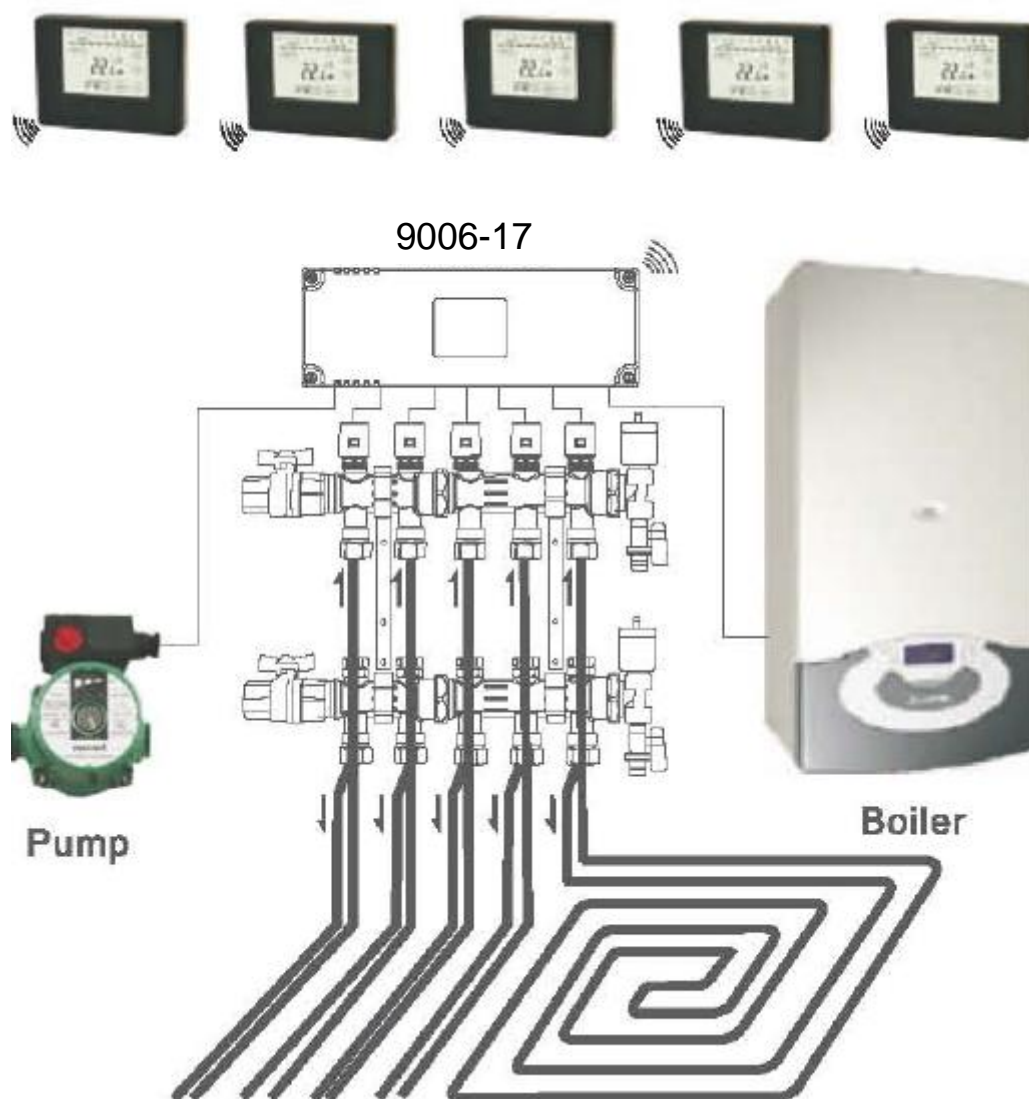
5COD Start to code pairing.
Press key to start code pairing with receiver.
LCD display symbol flash 3 times.



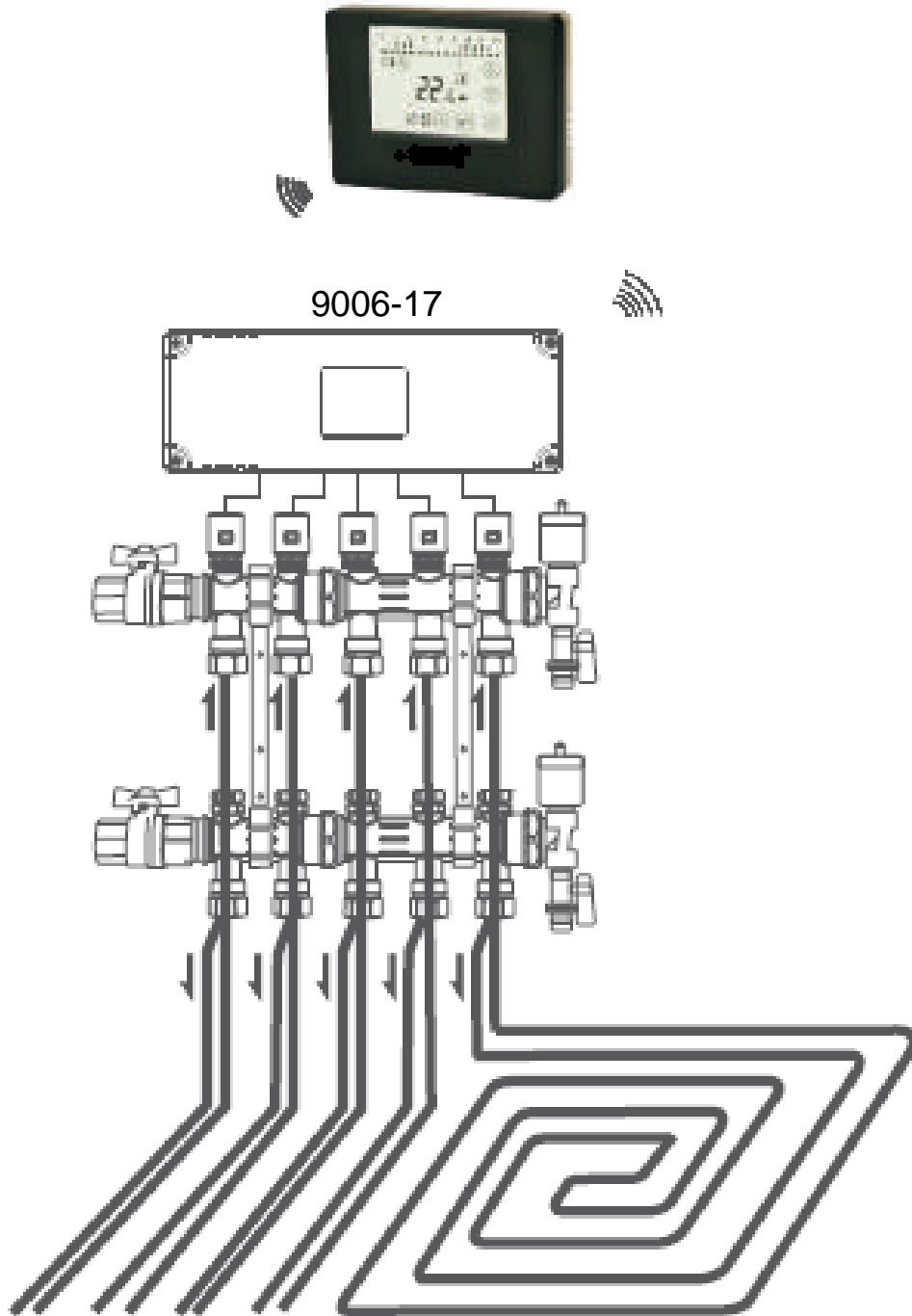
6PA Select the wireless transmission power.
Press or key to modify the power
Set range: 0 - 3,0 is Min, 3 is Max.
Press off key to quit the advanced setting.

After finish the code pairing, the receiver gets the heating signal, indicator is red and the relay works.

Application I: Individual room controlling

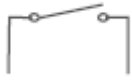


Application II: One thermostat with multi-loop manifolds



Linkage control

9006-17 with two outputs of linkage sub-control



- 1) Boiler linkage control is contact switch with potential-free and normal open that delay for 2 minutes.



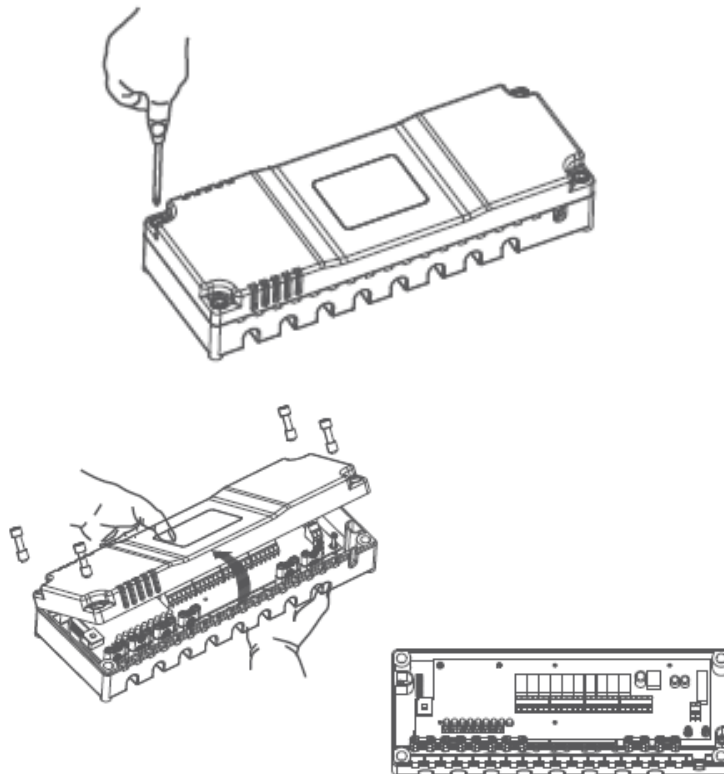
- 2) Increasing pressure of pump linkage control which is AC230V power, Output Max.3A, also with 2 minutes delay.

Linkage:

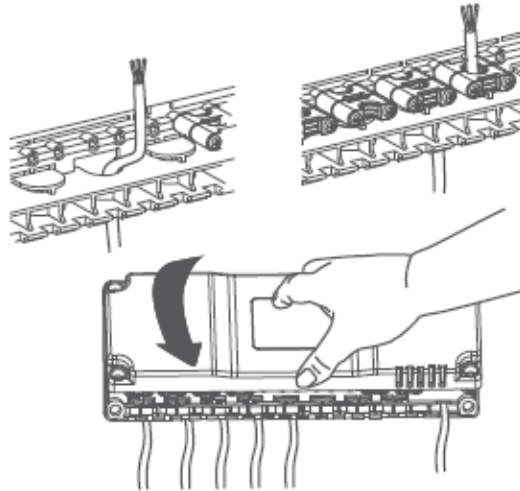
Any room has heating requirement (the actuators open gradually).
Pump and boiler will start after 2 minutes delay.
All rooms stop heating (the actuators close gradually).
Pump and boiler stop work instantly.

Mounting steps

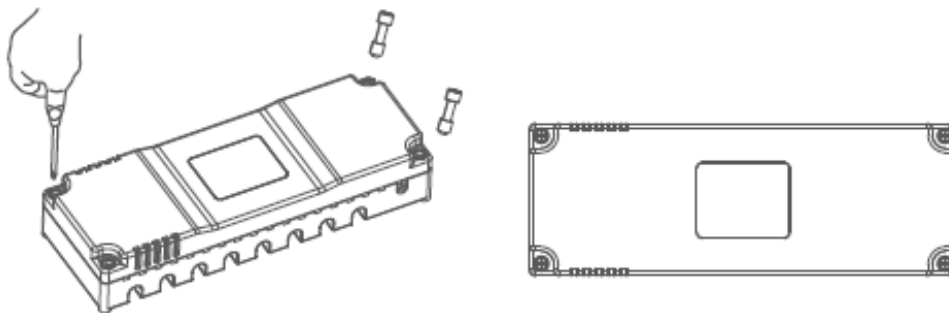
1. Take out 4 pieces screw with screwdriver to open the cover.



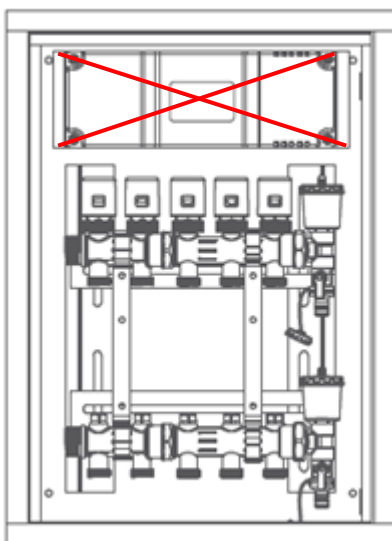
2. Cross the wire through the holes and fix with staple.



3. After finish the wiring, fix the box with 4 piece screw and fix the box in the mounting space, then fix the cover.



Mounting space

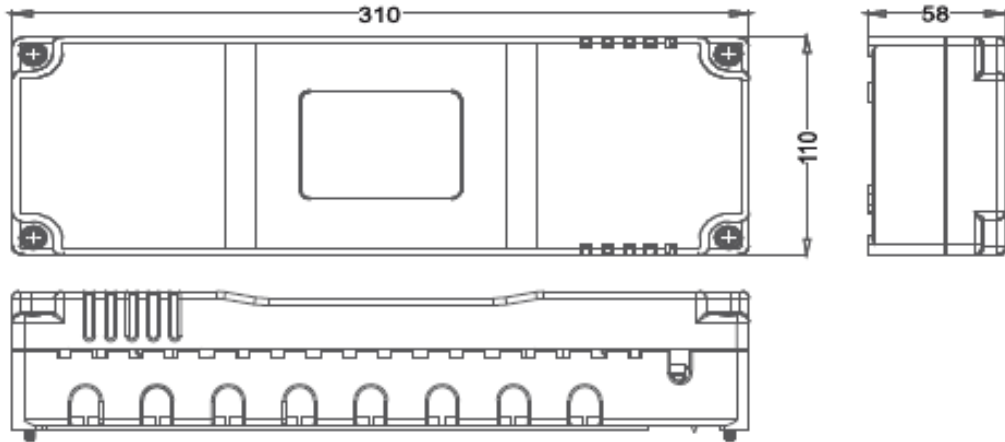


Attention:

The antenna of radio is inside the wireless central controller.

Do not place the wireless central controller inside a metallic box. It will interfere the radio signal.

Dimensions (mm)



Accessories



Staple fixed screw M3x32



Box fixed screw M4.5x20



Staple

18 pieces staple fixed screws, 5 pieces box fixed screws, 9 pieces staple;
1 pieces instruction.

Wiring diagram

